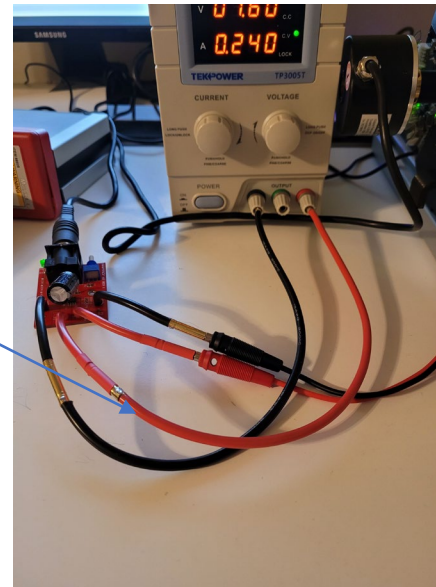
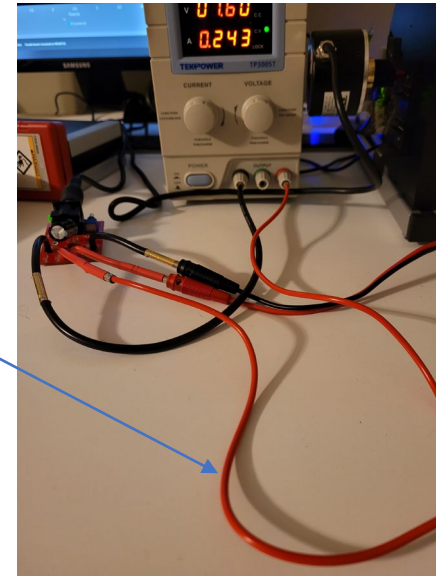
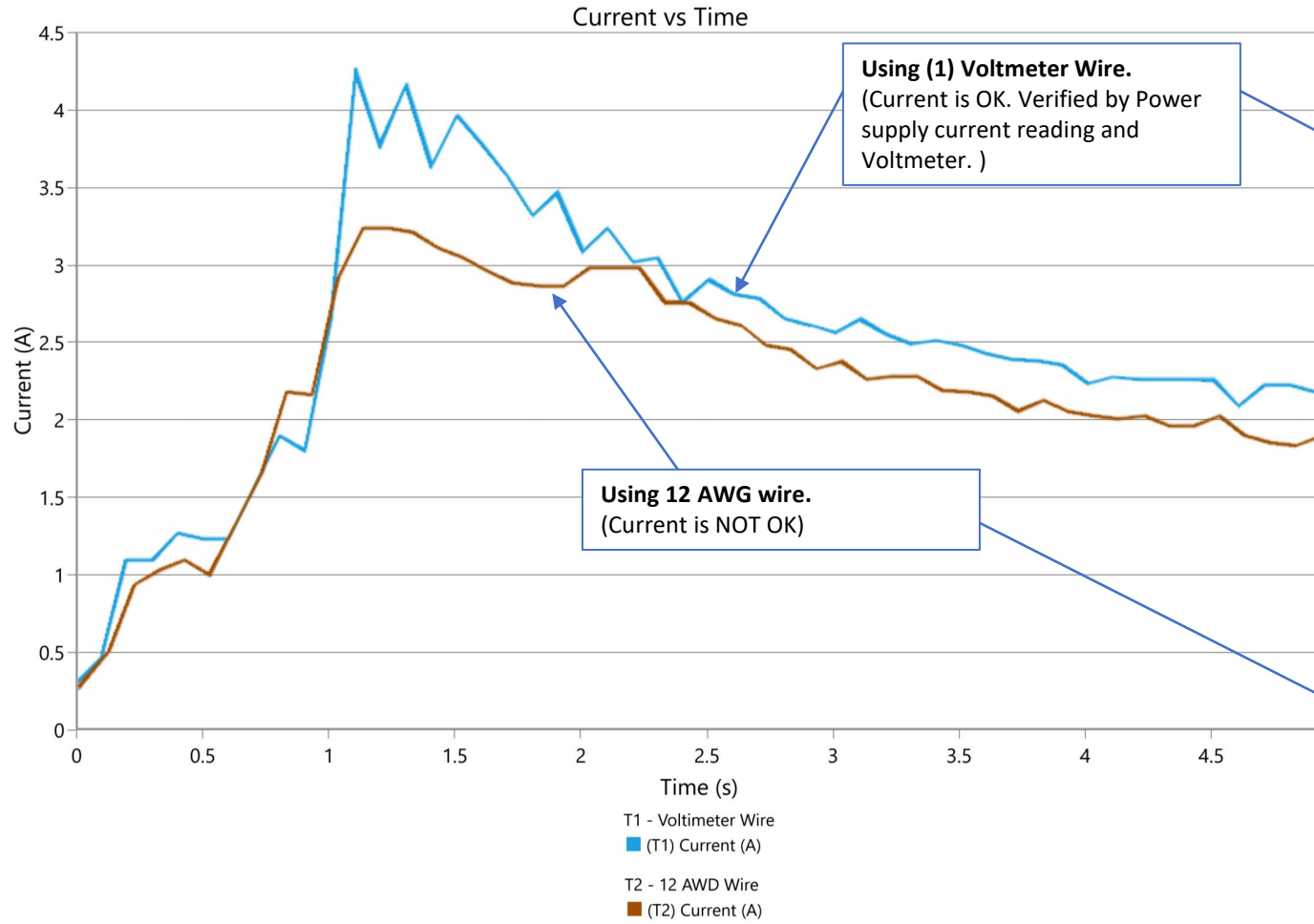
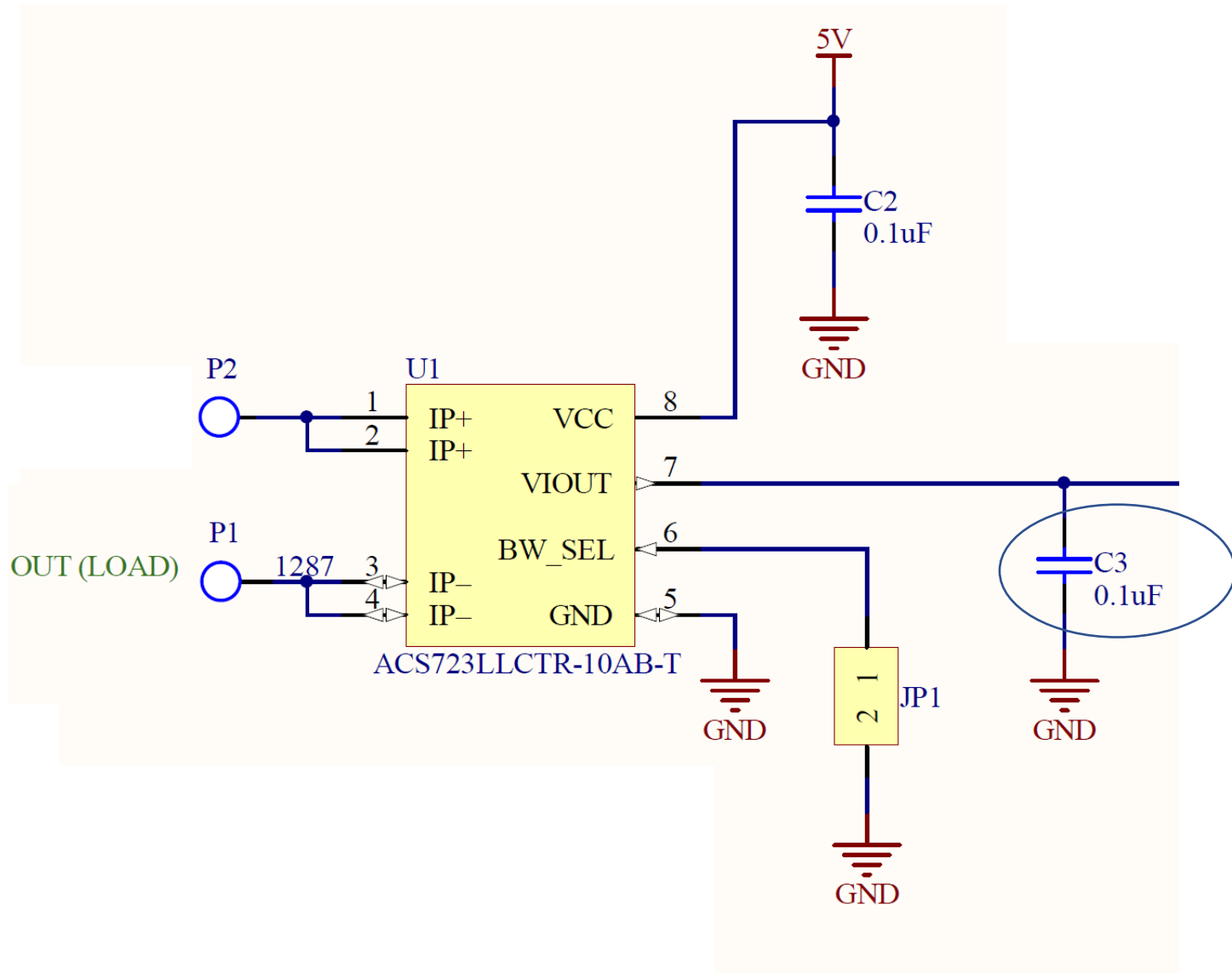


TEST RESULTS GRAPH





Doesn't matter which value I use; I still get inaccurate reading.

Currently using 470uF and it seems to work fine (low noise).